

Detector Switches

DSB Series

■ Features

1. Two types are available of push and lever.
2. Mounting methods are available in either on the PWB or with a connector.

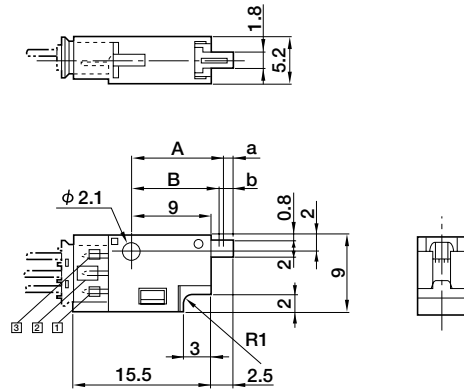
■ Specification

1. Rating : 0.1A, 12V DC (Resistive load)
2. Contact Resistance : 30mΩ max.
3. Insulation Resistance : 100MΩ min.
4. Withstanding Voltage : 500V AC (for one minute)
5. Circuit : SPDT
6. Operating Force : 1N max. (JPS1220-0101/0301)
0.6N max. (JPS1220-0201/0401)
7. Operating Life : 100,000 cycles
8. Changeover Timing : Non-shorting
9. Operating Temperature Range : -10°C to +60°C
10. Applicable Connector : SMK UP Series
(Socket : W-A2403, Terminal : W-T0834)

■ Application

Automotives, motorcycles, car audios, PCs, PC peripherals, TVs, DVD players, industrial equipment, business equipment, home appliance and healthcare products.

JPS1220-0101



● Switching Position and Stroke : (mm)

Terminal No.	When Pushed		When Returning	
	Stroke	Switching Position	Stroke	Switching Position
[1]-[2]	(OFF) a = 1.1±0.3	A = 10.4±0.3	(ON) a = 0.9±0.3	A = 10.6±0.3
[2]-[3]	(ON) b = 1.6±0.3	B = 9.9±0.3	(OFF) b = 1.4±0.3	B = 10.1±0.3

● Full Stroke : 2.5±0.3mm

