

# Detector Switches

## DSJ Series

### ■ Features


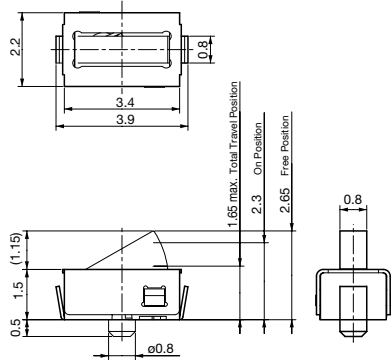
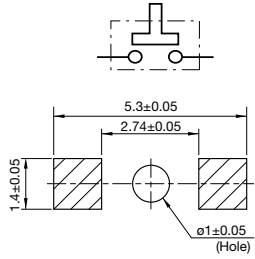

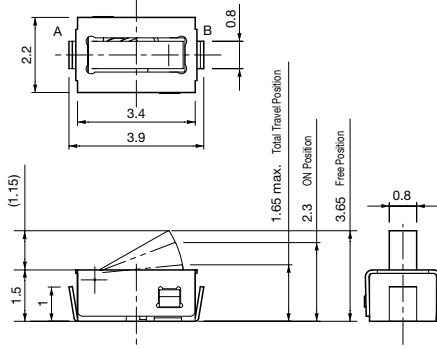
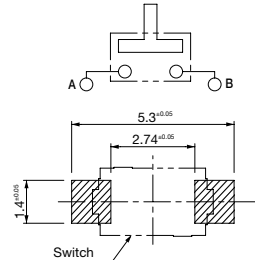
1. Ease in switching during rotation while folding/unfolding due to the use of a lever-shaped shaft.
2. Size is measuring only 2.2mm(W) × 3.4mm(D) × 1.5mm(H).
3. As light as 0.3N force sufficient to operate this small detector switch.
4. 90 degree operation angle by the use of a lever shaft.
5. Lead-free solder used.
6. Both of push-on and push-off types available.

### ■ Specification

1. Rating : 10mA, 5V DC
2. Contact Resistance : 1Ω max.
3. Insulation Resistance : 100MΩ min.
4. Withstanding Voltage : 100V AC (for one minute)
5. Circuit : SPST
6. Operating Force : 0.3±0.15N
7. Stroke : 1.0mm (Full)
8. Operating System : Non-lock push-on (JPS1110-43□1F/61□1F)  
push-off (JPS1110-62□1F/63□1F)
9. Boss : With(JPS1110-43□1F/621□1F)  
Without(JPS1110-61□1F/63□□F)
10. Operating Life : 100,000 cycles
11. Operating Temperature Range : -20°C to +70°C

### ■ Application

Mobile phones, smart phones, digital still cameras, car audios, portable audios, PCs, PC peripherals, TVs, DVD players, industrial equipment, business equipment, home appliance and healthcare products.

<b>JPS1110-43□1F/62□1F</b>	 <p>2,000 pcs/reel</p>		Circuit : SPST  <p>P. C. Board Dimension</p>
<b>JPS1110-61□1F/63□1F</b>	 <p>2,000 pcs/reel</p>		Circuit : SPST  <p>P. C. Board Dimension</p>

□	Part No.
0	Product Part No.
1	Embossed Taping Packing Part No.

\*Delivery will be made on embossed taping.