

# Push Switches

## MT Switches, Vertical Type (6.0mm Squares)

### ■ Features


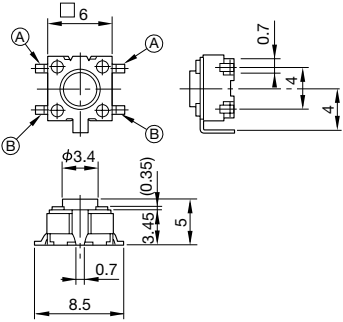
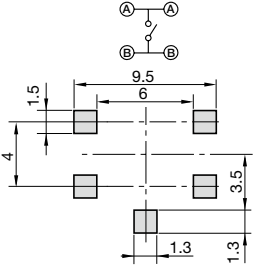

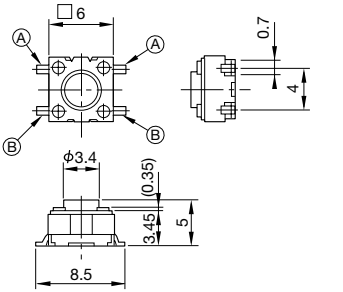
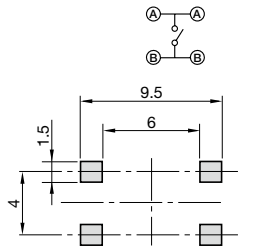
1. The MT switches are small and low profile and most suitable for high density mounting.
2. Model with earth terminal is also available for static charges protection.
3. A long life of 1,000,000 cycles.

### ■ Specification

1. Rating : 50mA, 12V DC
2. Contact Resistance : 200mΩ max.
3. Insulation Resistance : 100MΩ min. 100V DC
4. Withstanding Voltage : 250V AC (for one minute)
5. Circuit : SPST
6. Operating Force : 1.4±0.5N
7. Travel : 0.25mm
8. Operating Life : 1,000,000 cycles
9. Operating Temperature Range : -25°C to +70°C

### ■ Application

Car audios, PCs, PC peripherals, TVs, DVD players, industrial equipment, business equipment, home appliance and healthcare products.

<p><b>JPM1030-1011F</b></p>  <p>1,500 pcs/reel</p>		<p>Circuit : SPST</p>  <p>P. C. Board Dimension</p>
<p><b>JPM1030-0911F</b></p>  <p>1,500 pcs/reel</p>		<p>Circuit : SPST</p>  <p>P. C. Board Dimension</p>

# Push Switches

## MT Switches, Vertical Type (t=2.9mm)

### ■ Features


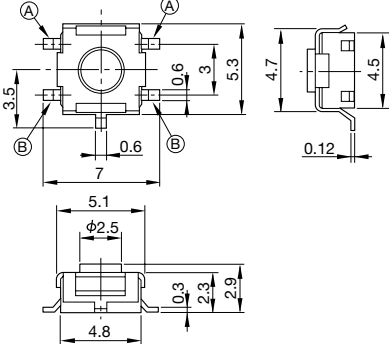
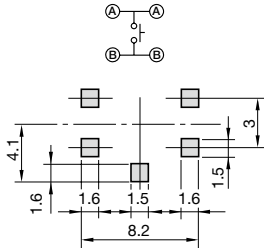

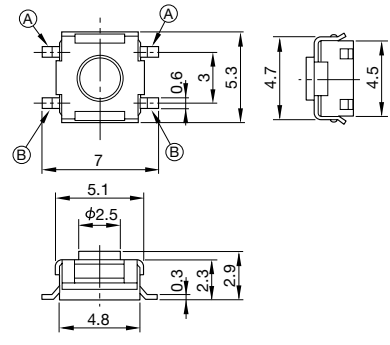
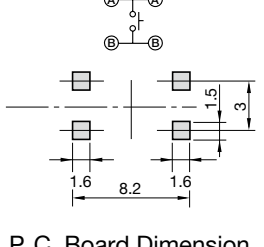
1. The MT switches are small and low profile and most suitable for high density mounting.
2. Model with earth terminal is also available for static charges protection.

### ■ Specification

1. Rating : 10mA, 12V DC
2. Contact Resistance : 200mΩ max.
3. Insulation Resistance : 100MΩ min. 100V DC
4. Withstanding Voltage : 250V AC (for one minute)
5. Circuit : SPST
6. Operating Force : 1.2±0.5N
7. Travel : 0.2mm
8. Operating Life : 100,000 cycles
9. Operating Temperature Range : -25°C to +70°C

### ■ Application

Automotives, motorcycles, car audios, PCs, PC peripherals, TVs, DVD players, industrial equipment, business equipment, home appliance and healthcare products.

<p><b>JPM1110-0811F</b></p>  <p>2,500 pcs/reel</p>		<p>Circuit : SPST</p>  <p>P. C. Board Dimension</p>
<p><b>JPM1110-0711F</b></p>  <p>2,500 pcs/reel</p>		<p>Circuit : SPST</p>  <p>P. C. Board Dimension</p>

# Push Switches

## MT Switches, Drip & Dust Proof Type

### ■ Features


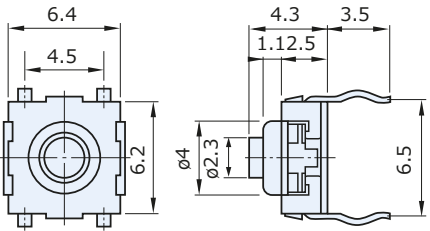
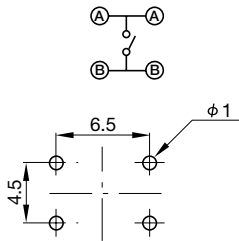

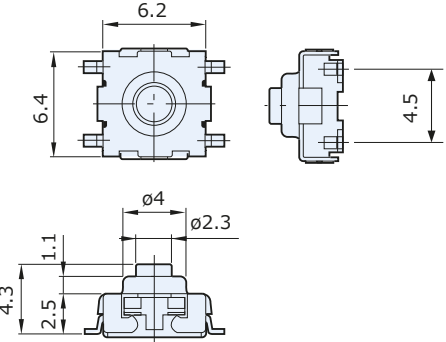
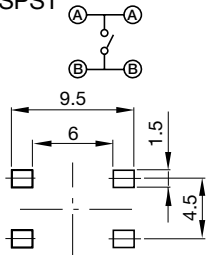
1. The contact part of the construction of these switches is sealed, thus improving resistance to dust and drops of liquid.
2. Both discrete types and SMD types compatible with automatic surface mounting are available.

### ■ Specification

1. Rating : 50mA, 12V DC
2. Contact Resistance : 200mΩ max.
3. Insulation Resistance : 100MΩ min. 100V DC
4. Withstanding Voltage : 250V AC (for one minute)
5. Circuit : SPST
6. Travel : 0.3mm
7. Operating Force : 1.57<sup>+0.03</sup><sub>-0.03</sub>N
8. Operating Life : 300,000 cycles
9. Operating Temperature Range : -25°C to +70°C

### ■ Application

Car audios, PCs, PC peripherals, TVs, DVD players, industrial equipment, business equipment, home appliance and healthcare products.

<p><b>JPM1120-0101</b></p> <p>Discrete Type</p> 		<p>Circuit : SPST</p>  <p>P. C. Board Dimension</p>
<p><b>JPM1120-1011</b></p> <p>SMD Type</p>  <p>1,500 pcs/reel</p>		<p>Circuit : SPST</p>  <p>P. C. Board Dimension</p>