

Lamp Connectors, LC-4 Series



■ Features

1. This is a middle voltage connector for lamps capable of handling an DC voltage of up to 15kV (peak).
2. This compact connector design is an ideal choice for downsized equipment.

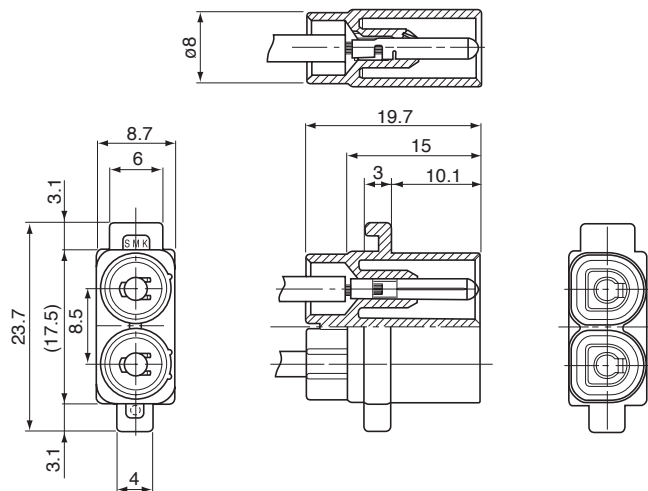
■ Specification

1. Rating : 7A, 250V AC/DC
2. Contact Resistance : 20mΩ max.
3. Insulation Resistance : 1000MΩ min. at 500V DC
4. Withstanding Voltage : 15kV DC (peak) (for one minute)
5. Operating Temperature Range : -20°C to +150°C

■ Materials and Plating

- Housing : Thermoplastic Resin, Black, 94V-0
- Contact
 Plug Terminal : Cu Alloy, Sn Plating
 Socket Terminal : Nickel Silver

● Plug : CCL0104-0101F



● Socket : CCL0504-0101F

