

Push Switches

Mini One Dome Switches

■ Features

1. A thin design is realized due to the employment of our original design where no parts such as key stems are used.
2. Stronger mounting strength is realized due to the employment of a "spring contact system".
3. Solder-free mountability to equipment contributes to preservation of our environment when being recycled.
4. Sheet with actuator function.

■ Application

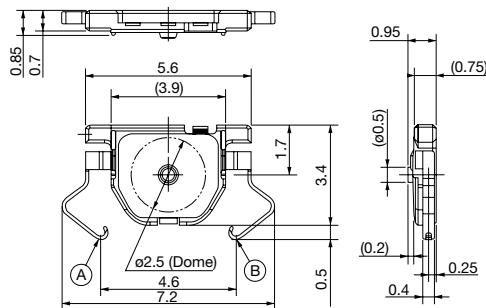
Wearable devices, smart phones, digital still cameras, portable audios, PCs, PC peripherals, TVs, DVD players, industrial equipment, business equipment, home appliance and healthcare products.

Part No.	JPM1990-7511F	JPM1990-8611F	JPM1990-7314F
Rating	10mA, 12V DC		
Contact Resistance	1Ω max.		
Insulation Resistance	100M min.		
Withstanding Voltage	250V AC(for one minute)		
Circuit	SPST		
Operating Force	2.2±0.7 N	4.4±1.1 N	2.2±0.7 N
Travel	0.16mm		
Operating Life	200,000cycles		
Operating Temperature Range	-20°C ~ +70°C		

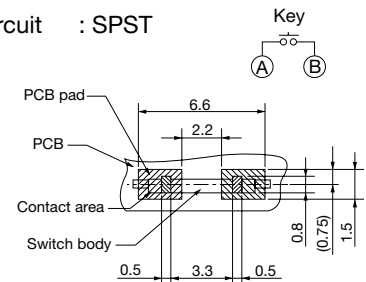
JPM1990-7511F/8611F



2,500 pcs/reel



Circuit : SPST

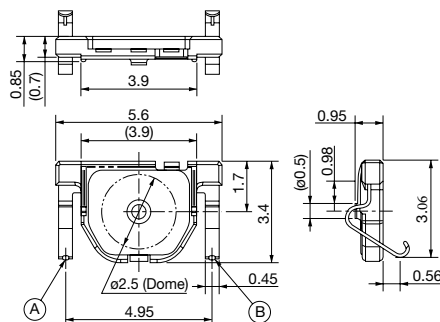


P. C. Board Dimension

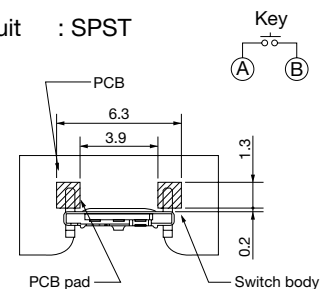
JPM1990-7314F



2,500 pcs/reel



Circuit : SPST



P. C. Board Dimension