

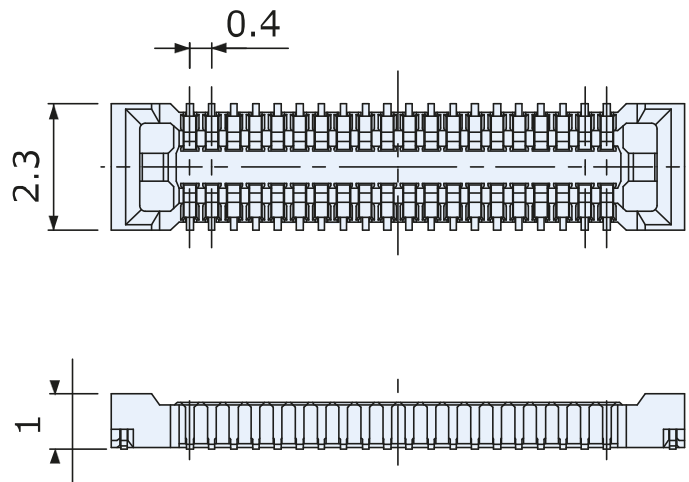
Board to Board Connectors

PB-4H Series (0.4mm Pitch)

- Mating height variation (1.0mm, 1.2mm, 1.5mm)
- Low insertion force and high removal force
- No. of Pins(□□)
 - Socket : 10,14,16,20,24,26,30,34,40
 - Plug(Mating height = 1.0mm) : 10,14,16,20,24,26,30,34,40
 - Plug(Mating height = 1.2mm) : 10
 - Plug(Mating height = 1.5mm) : 10,14,20,24,34,40
- Plug Part No. (Mating height)
 - CPB04□□-015☒F (1.0mm), -025☒F (1.2mm), -0350☒F (1.5mm)
- Rating : AC/DC 50V 0.3A
- Packing : 5,000pcs/reel



Socket : CPB03□□-015☒F



Plug : CPB04□□-☒☒☒☒F

