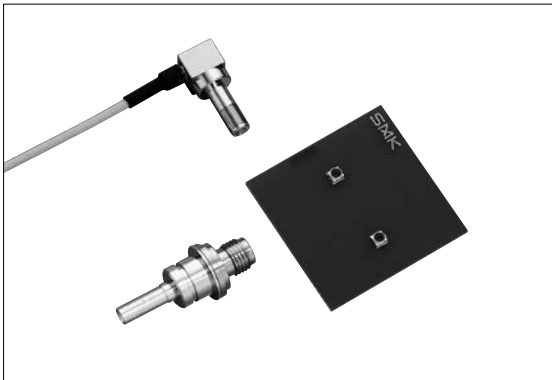
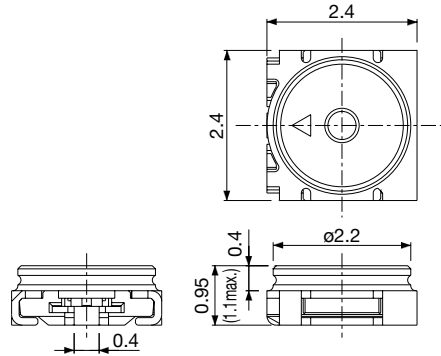


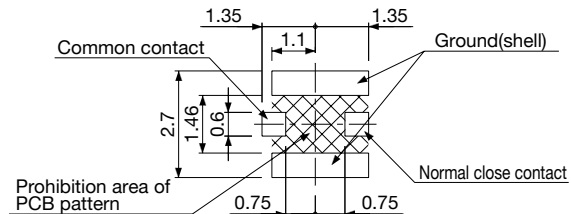
RF Coaxial Connectors with Switch (SMT), TS-11 Series <6GHz>



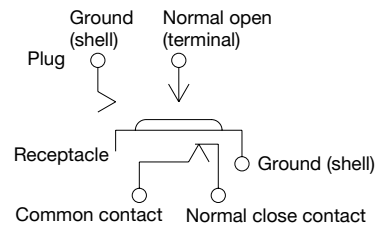
● Receptacle CRS5001-4401F



■ P.C. Board Dimension



■ Coaxial Switch Circuit



● Note
3,000pcs/reel

■ Features

1. Coaxial connector with switch of vertical type.
Can be used to inspect and measure the high frequency properties of mobile communication equipment.
2. The operating frequency ranges extensively from DC to 6GHz with good RF performance.
3. Ultra-low profile and small of 0.95mm mounting height and 2.4mmx2.4mm mounting area.
4. Available both a probe type for automatic inspection and mating type for manual inspection.
5. Mating type plug is a half-locking structure with positive click feeling.
6. High isolation provides the easy inspection and noise reduction.
7. Embossed tapping for automatic mounter.

■ Specification

1. Rating : 100V AC/DC
2. Frequency Range : DC to 6GHz
3. Nominal Impedance : 50Ω
4. V.S.W.R.(normal close) : 1.3 max. (DC to 3GHz)
1.5 max. (3 to 6GHz)
5. Insertion Loss (normal close) : 0.15dB max. (DC to 3GHz)
0.20dB max. (3 to 6GHz)
6. Isolation (normal open) : 20dB min. (DC to 3GHz)
15dB min. (3 to 6GHz)
7. Operating Temperature Range : -25°C to +85°C

■ Material and Plating (Receptacle)

- Housing : Thermoplastic Resin
- Contact : Cu Alloy, Au Plating

● Plug

CRC9001-6401F
(Mating Type)

CRC9001-6201F
(Probe Type)

CRC9001-6602F
(Auto Floating Type)

