

Coaxial Connectors

VR-1 Series


Rectangular Antenna Connectors

- For automotive antenna of digital terrestrial broadcasting
- Receptacle: DIP mounting type and reflow mounting type are available
- Rating: 1A, 250V AC/DC
- Frequency Range: DC to 1GHz
- V.S.W.R.: 1.5 max.(DC to1GHz)
- Operating Temperature Range: -30°C to +105°C

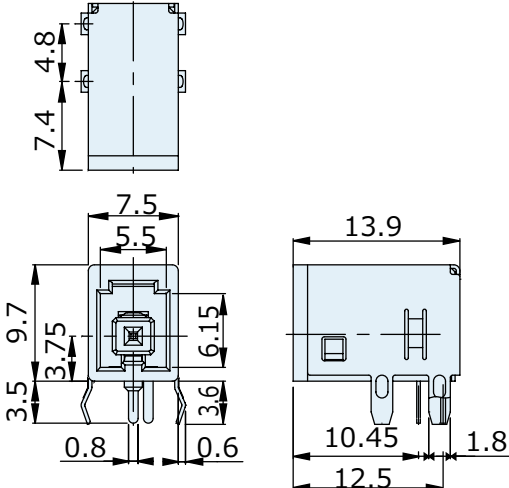
□□ : Part No. is changed by the color(receptacle, plug), terminal shape and boss with or without(receptacle) Please contact us

Receptacle · 1Pin · DIP

CSS5001-7M□□F



(CSS5001-7M11F)




Technical drawing dimensions (mm):

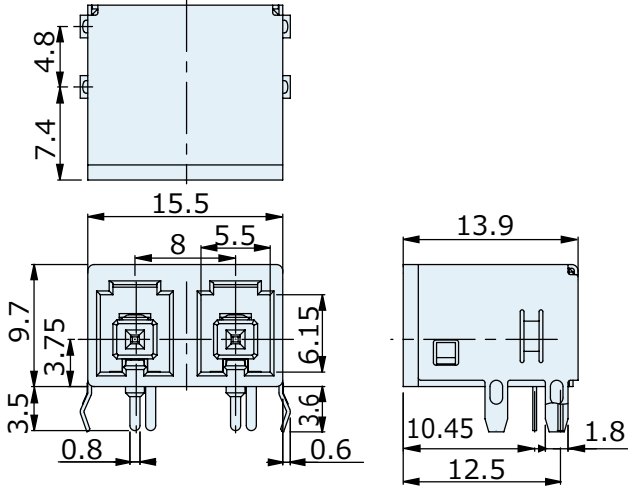
- Side view: 7.4 (total height), 4.8 (boss height)
- Front view: 7.5 (total width), 5.5 (inner width), 9.7 (total height), 3.75 (boss height), 6.15 (terminal height), 3.6 (terminal width), 0.6 (terminal thickness), 0.8 (terminal offset)
- Top view: 13.9 (total width), 10.45 (inner width), 1.8 (terminal offset)

Receptacle · 2Pins · DIP

CSS5002-6M□□F



(CSS5002-6M11F)



Technical drawing dimensions (mm):

- Side view: 7.4 (total height), 4.8 (boss height)
- Front view: 15.5 (total width), 8 (center-to-center distance), 5.5 (inner width), 9.7 (total height), 3.75 (boss height), 6.15 (terminal height), 3.6 (terminal width), 0.6 (terminal thickness), 0.8 (terminal offset)
- Top view: 13.9 (total width), 10.45 (inner width), 1.8 (terminal offset)

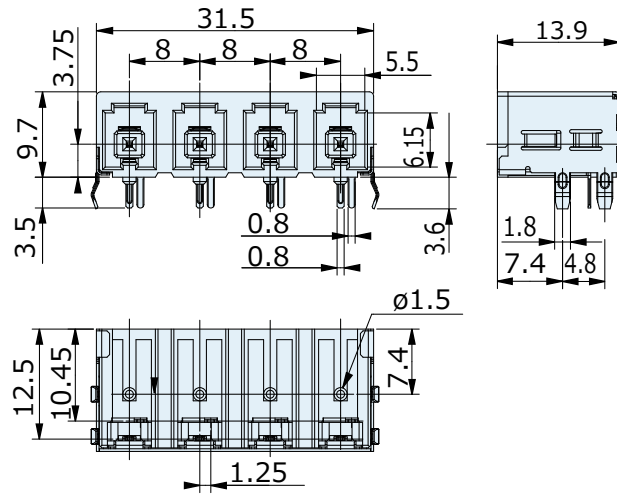
Coaxial Connectors

Receptacle · 4Pins · DIP

CSS5304-2F□□F



(CSS5304-2F11F)

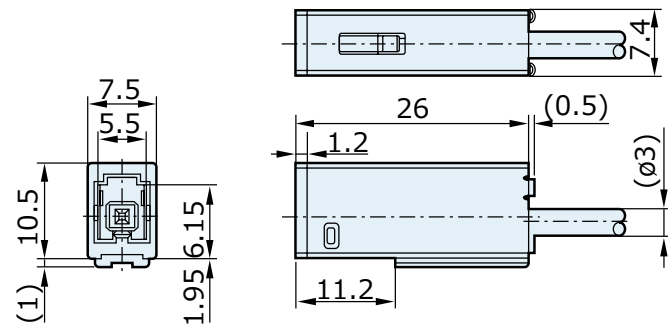


Receptacle · Relay Type

CSS1001-22□□F



(CSS1001-2202F)

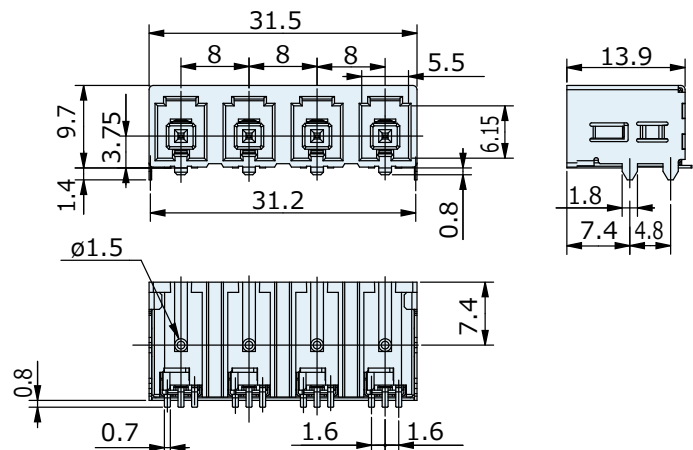


Receptacle · 4Pins · Reflow

CSS5304-4M□□F



(CSS5304-4M22F)



Coaxial Connectors

Plug

CSC1001-8C□□F



(CSC1001-8C01F)

