

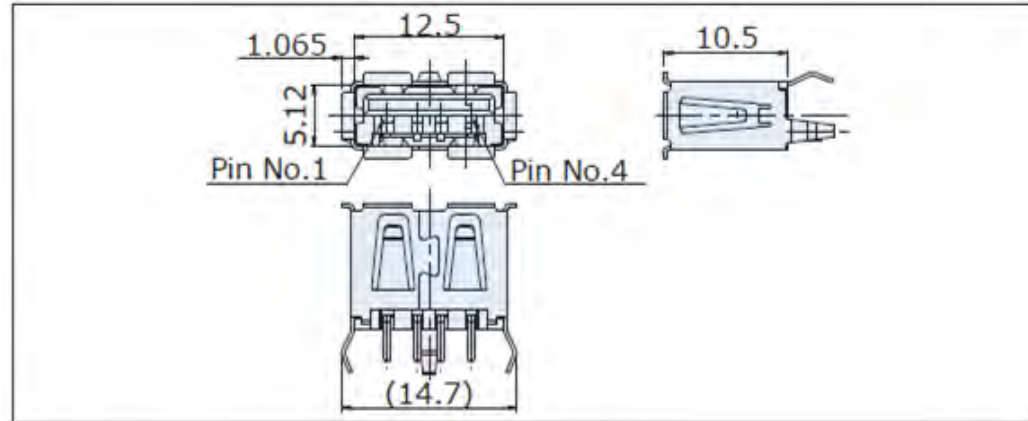
Interface Connectors

USB2.0 Standard-A Receptacle

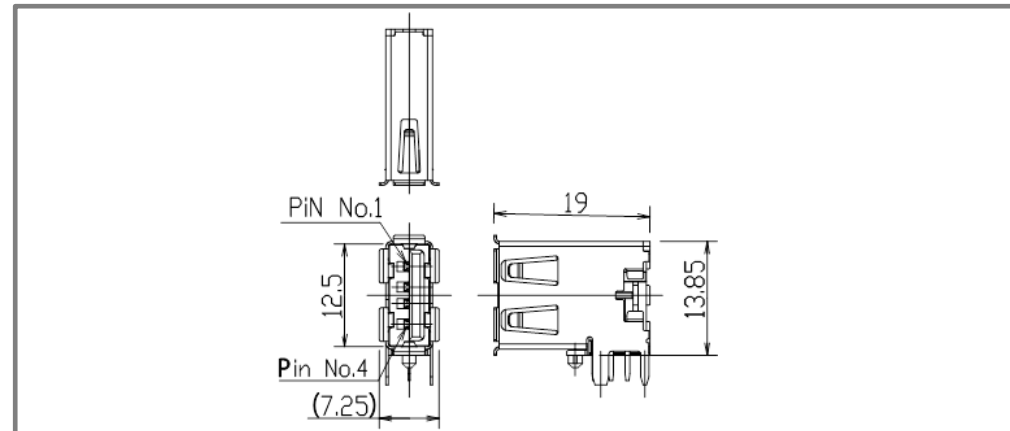
- Conforms to USB 2.0 standard
- Vertical type, DIP type
- Rating : 1.5A, 30V DC
- Contact Resistance : 30mΩ max.
- Insulation Resistance : 1,000MΩ min. at 500V DC
- Withstanding Voltage : 500V AC (for one minute)
- Operating Life : 1,500 cycles



CSS5004-5T01F



CSS5304-9J51F



USB Type-C™ Receptacle

- Conforms to USB Type-C™ standard
- Conforms to USB-PD
- Supports 5Gbps (Gen1) / 10Gbps (Gen2) high speed data transmission
- Ensuring high mechanical strength
- Reversible plug that can be fitted to front and back
- Compatible with several fixing method, by changing the external frames

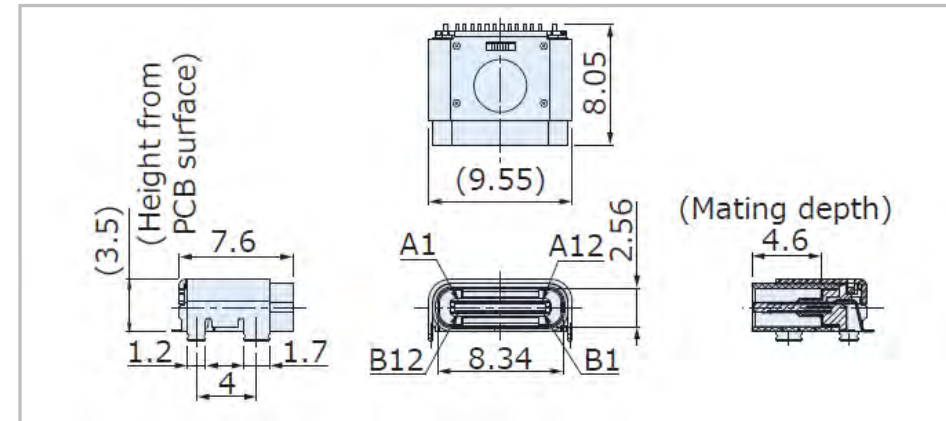
*Please contact us about mid mount type ,vertical type and waterproof type.

- Rating: Vbus 5A, GND(Power return)6.25A, Vconn 1.25A,Other 0.25A, 20V AC
- Contact Resistance: 40mΩ max., initially
- Insulation Resistance: 100MΩ min. at 100V DC
- Withstanding Voltage: 100V AC (for one minute)
- Operating Life: 10,000 cycles



On Board

[CSS5324-3M11F](#)



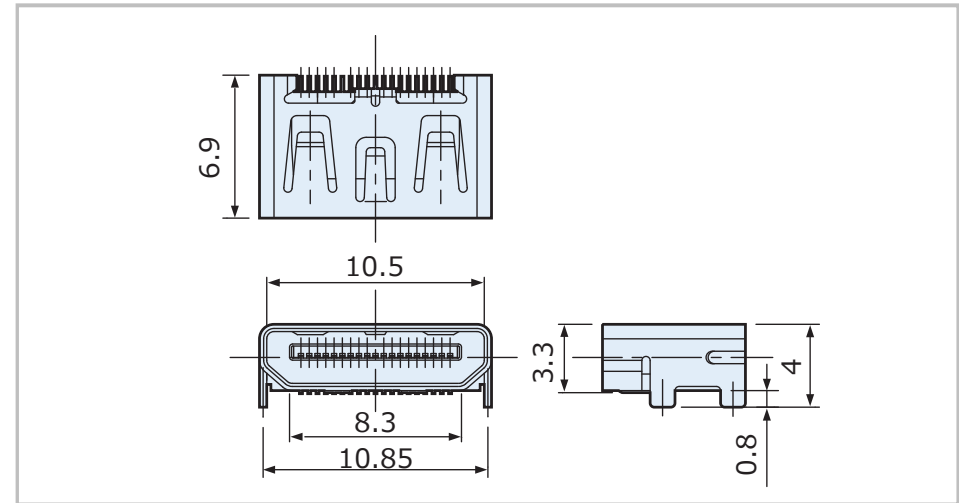
Interface Connector

HDMI Type C Receptacle

- Conforms to HDMI standard
- Right angle type
- Rating: 0.5A, 40V AC
- Contact Resistance: 30mΩ max.
- Insulation Resistance: 100MΩ min. at 500V DC
- Withstanding Voltage: 500V AC (for one minute)
- Operating Life : 5,000 cycles



CSS5019-0R01F



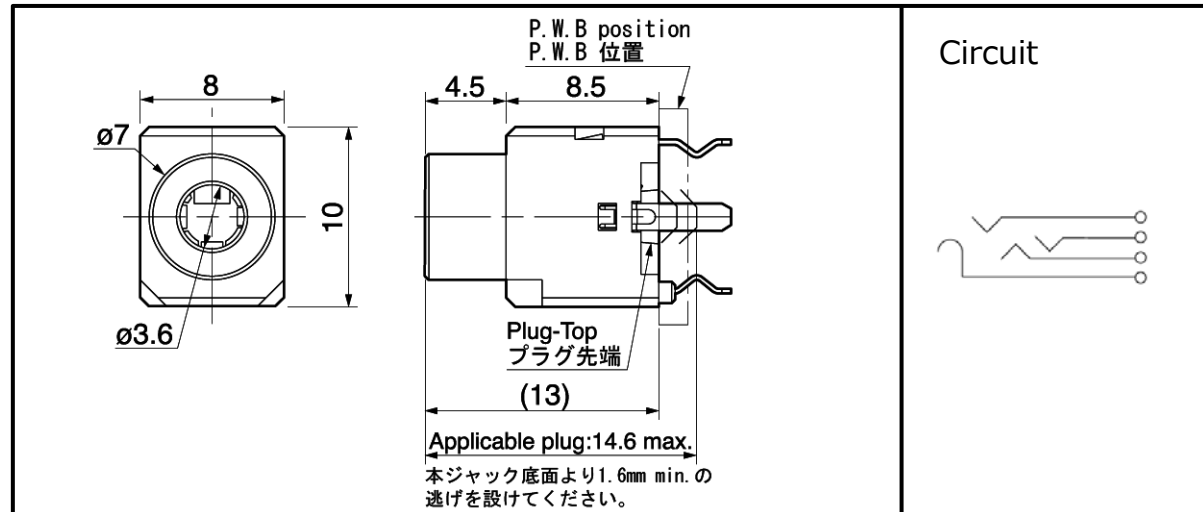
Mini Jacks

Click the light blue part number to go to the detail page

Φ3.5mm Jack

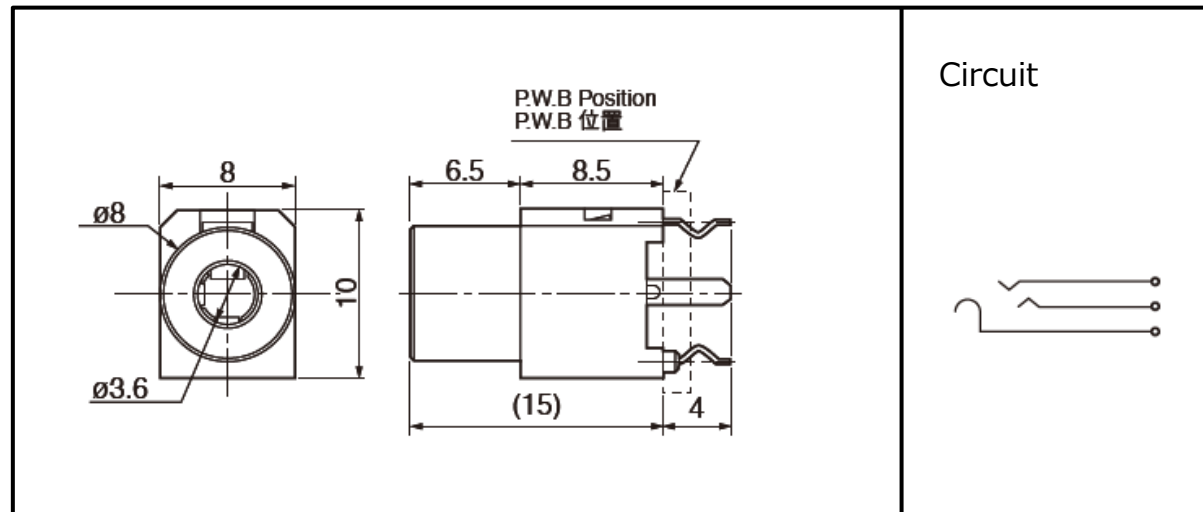
[LGT8509-0300F](#)

4 Poles



[LGT8502-0200F](#)

3 Poles



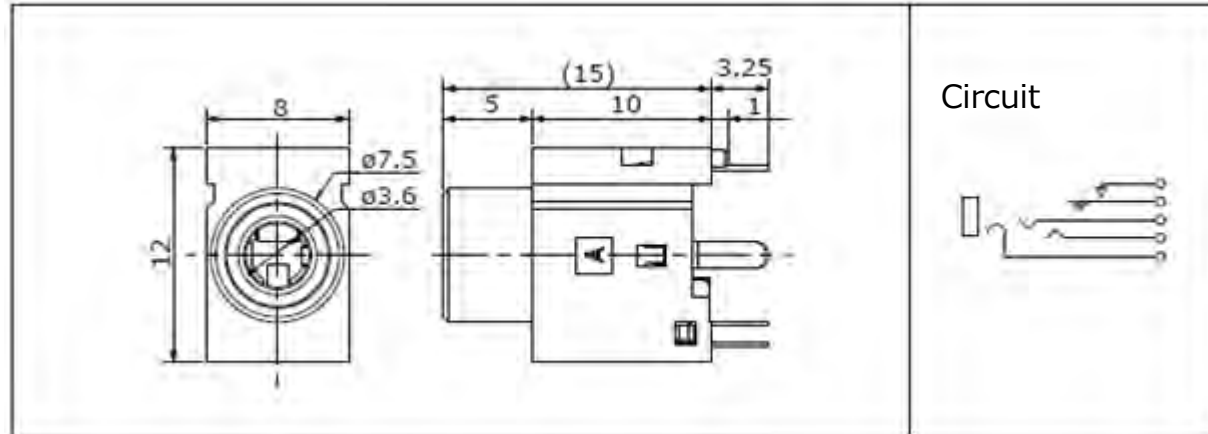
Mini Jacks

Click the light blue part number to go to the detail page

Φ3.5mm Jack

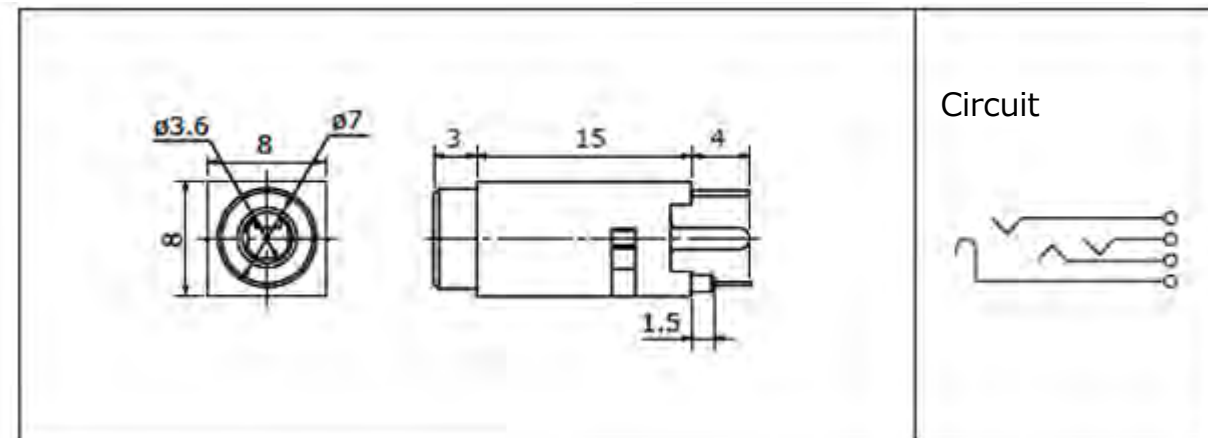
[LGM1019-0100F](#)

3 Poles



[LGT1509-0200F](#)

4 Poles

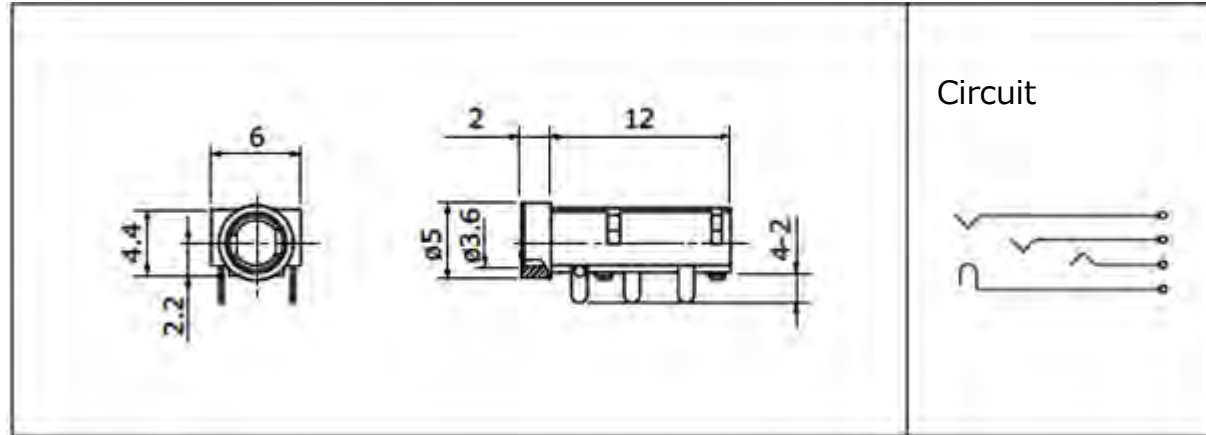


Mini Jacks

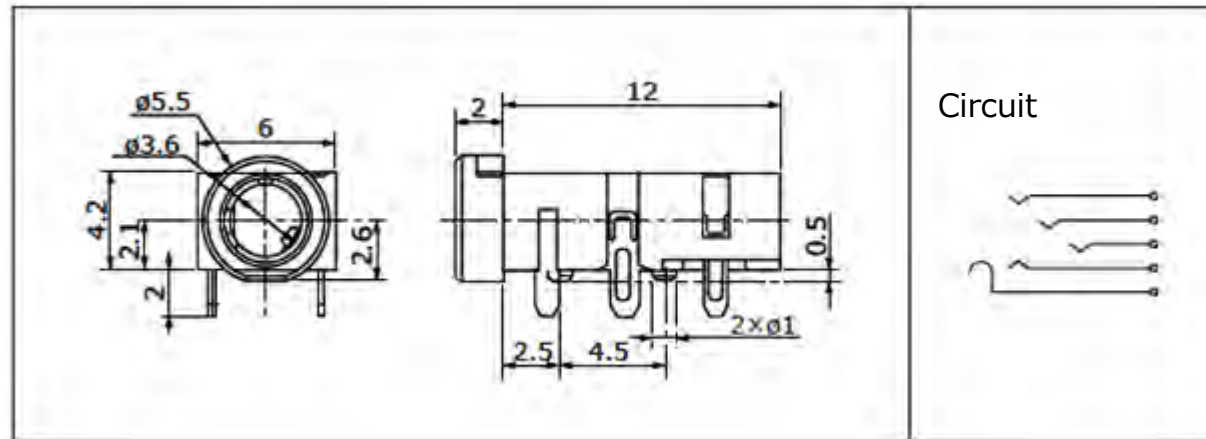
Click the light blue part number to go to the detail page

Φ3.5mm Jack

[LGY2209-0300F](#)



[LGY2109-0200F](#)



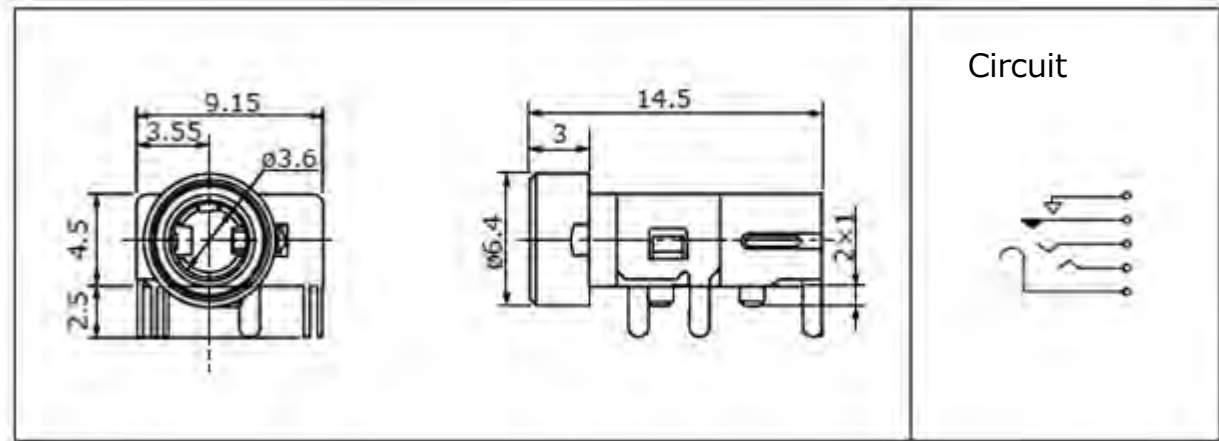
Mini Jacks

Click the light blue part number to go to the detail page

Φ3.5mm Jack

[LGS2318-0100F](#)

AUX Box



AUX Box

AUX Box



- Input unit for using small mobile devices for automotive applications
- Input side of interface selection includes USB connector, Micro-USB connector, 3.5mm diameter jack and pin jack
Compositing is also possible
- Various types of connectors for automotive equipment are available

Contact us for specifications, etc.