

Multi-Functional Devices

Lever Push Switches (small type) : JLS small Series

■ Features

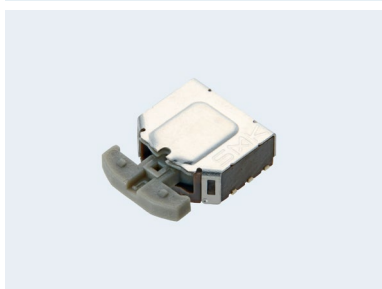
1. One unit of this switch is sufficient for both function selection and entry of the selected function.
2. J-Lead type terminals located on the side of the body of the horizontal type help downsize equipment.
3. Two options of a keytop-integrated type and cap type are available.
4. A long life of 1,000,000 cycles is also available.

■ Specifications

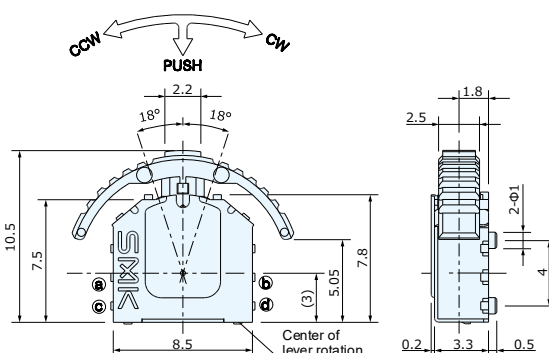
- Rating : DC 5V, 10mA
- Circuit : Rotation SPDT, Push SPST
- Life Cycle : 100,000 cycles, 1,000,000 cycles
- Operating Force : Rotation 1.4N, Push 2.5N
- Travel : On 0.5mm, Full 0.8mm
- Packing Quantity : 1,000pcs/Reel

■ Product Lineup

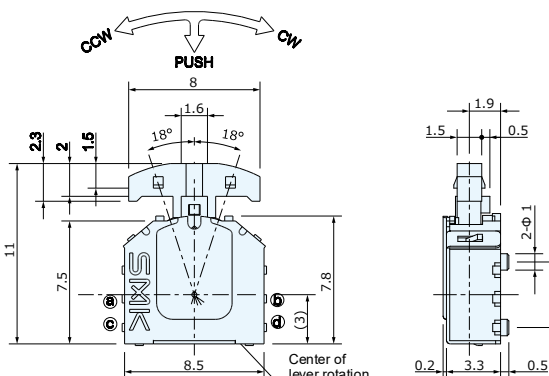
Drawing No.	Key Top		Housing	Life Cycle
	Shape	Color	Color	
JLS1300-1411F	Integrated Type	Gray	Black	100,000
JLS1300-1412F	Integrated Type	Black	Black	100,000
JLS1300-1111F	Cap Type	Gray	Brown	1,000,000
JLS1300-1012F	Integrated Type	Black	Brown	1,000,000
JLS1300-1011F	Integrated Type	Gray	Brown	1,000,000
JLS1300-0811F	Cap Type	Gray	Brown	100,000
JLS1300-0711F	Integrated Type	Gray	Brown	100,000



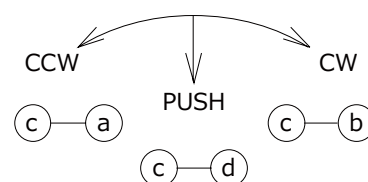
Outline Drawing Integrated Type



Cap Type



Circuit : SPST



P.C. Board Dimension

